

2W Series

2/2 Way Solenoid Valve (Direct Operated)



JELPC
— China Pneumatic

- Valve
- 4V100
- 4V200
- 4V300
- 4V400
- 5V100
- 5V200
- 5V300
- 5V400
- Manifold
- MCS
- JSY
- 5JV
- JEL
- MVSD
- VF
- BM
- 551
- 4VJZF
- JEL10
- 3VJZF
- Diaphragm
- JELVD
- JELMP
- JELP/G
- Coil
- 3V1
- 2P
- 2V
- 2W**
- 2W(Big)
- 2L
- VX
- PU
- PU225
- 2Q
- JEL5404
- JEL6213
- BU
- Pulse
- JELJZF
- 4H
- TSV
- MPV
- 4HV
- HV, K
- 4R
- 4F210
- FV
- MSV
- JM
- ASC, RE
- QE, QEA
- ST
- HSV



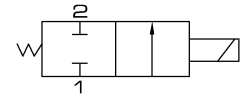
2W025-08

2W040-10

Ordering Code

| 2W | 025 | 08 | AC110V | E |
|---|--------------|------------|--------------------------------------|--|
| Specification | Orifice Size | Port Size | Standard Voltage | Sealing |
| 2W: 2/2 way brass body | 012: 1.2mm | M4: M4×0.7 | DC12V DC24V | Blank: NBR |
| 2WH: 2/2 way brass body high pressure | 020: 2mm | 06: 1/8" | AC24V 50Hz/60Hz | E: EPDM (for steam) |
| 2S: 2/2 way stainless steel body | 025: 2.5mm | 08: 1/4" | AC110V 50Hz/60Hz | V: VITON (for high temperature gas and vacuum) |
| 2SH: 2/2 way stainless steel body high pressure | 040: 4mm | 10: 3/8" | AC220V 50Hz/60Hz AC380V 50Hz/60Hz | |

Symbol



Specification

| Model | 2W025-06 | 2W025-08 | 2W040-10 | 2WH012-06 | 2WH012-08 | 2WH020-10 |
|-----------------------------|-------------------------------|----------|----------|-----------------|-----------|-----------|
| | 2S025-06 | 2S025-08 | 2S040-10 | 2SH012-06 | 2SH012-08 | 2SH020-10 |
| Working Medium | Air, Water, Oil, Gas | | | Air, Water, Oil | | |
| Operation | Direct | | | | | |
| Type | Normal Close | | | | | |
| Orifice | 2.5 mm | | 4 mm | 1.2 mm | | 2 mm |
| CV Value | 0.23 | | 0.60 | 0.05 | | 0.15 |
| Port Size | 1/8" | 1/4" | 3/8" | 1/8" | 1/4" | 3/8" |
| Operation Fluid Viscosity | Below 20 CST | | | | | |
| Working-pressure | 0 ~ 0.7 MPa | | | 0 ~ 2.0 MPa | | |
| Max. Test Pressure | 1.0 MPa | | | 3.5 MPa | | |
| Max. Ambient Temperature | -10 ~ 80 °C | | | | | |
| Operating Voltage Tolerance | ± 10% | | | | | |
| Material of Body | 2W: Brass 2S: Stainless Steel | | | | | |
| Material of Oil Seal | NBR, EPDM or VITON | | | | | |

2W Series

2/2 Way Solenoid Valve (Direct Operated)

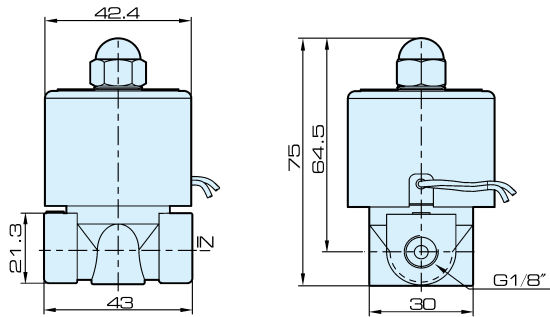


JELPC
— China Pneumatic

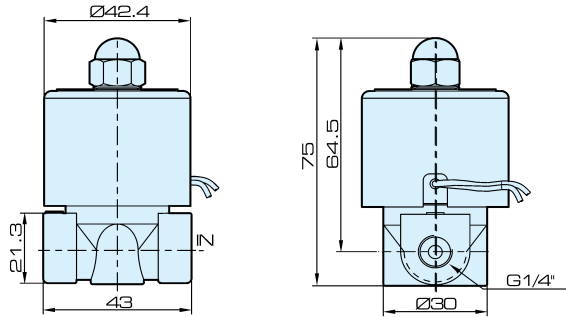
Overall Dimension

- Valve
- 4V100
- 4V200
- 4V300
- 4V400
- 5V100
- 5V200
- 5V300
- 5V400
- Manifold
- MCS
- JSY
- 5JV
- JEL
- MVSD
- VF
- BM
- 551
- 4VJZF
- JEL10
- 3VJZF
- Diaphragm
- JELVD
- JELMP
- JELP/G
- Coil
- 3V1
- 2P
- 2V
- 2W
- 2W**
- 2W(Big)
- VX
- PU
- PU225
- 2Q
- JEL5404
- JEL6213
- BU
- Pulse
- JELJZF
- 4H
- TSV
- MPV
- 4HV
- HV, K
- 4R
- 4F210
- FV
- MSV
- JM
- ASC, RE
- QE, QEA
- ST
- HSV

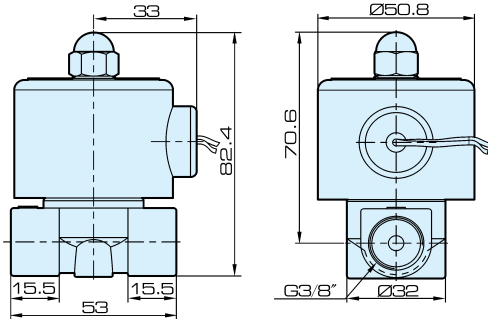
2W025-06 & 2WH012-06



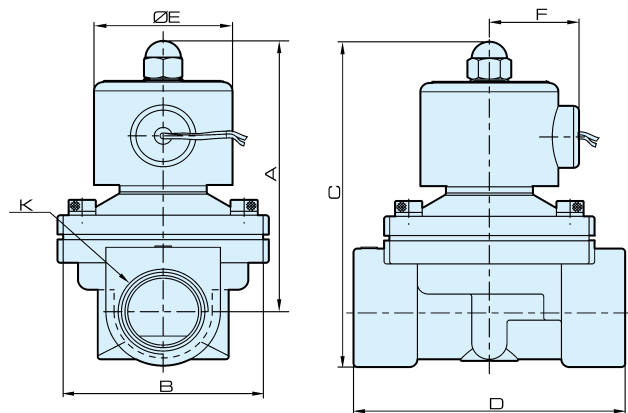
2W025-08 & 2WH012-08



2W040-10 & 2WH20-10



2W Big Caliber



Dimension

| Model | A | B | C | D | E | F | K |
|----------|-------|------|-------|-----|------|----|----------------------|
| 2W160-10 | 101.5 | 57 | 117 | 69 | 50 | 36 | PT3/8" |
| 2W160-15 | 101.5 | 57 | 117 | 69 | 50 | 36 | PT1/2" |
| 2W200-20 | 107 | 57 | 123.5 | 73 | 50 | 36 | PT3/4" |
| 2W250-25 | 111.5 | 73.5 | 134.5 | 99 | 50 | 36 | PT1" |
| 2W350-35 | 142 | 95 | 172 | 123 | 70.5 | 56 | PT1 ¹ /4" |
| 2W400-40 | 142 | 95 | 172 | 123 | 70.5 | 56 | PT1 ¹ /2" |
| 2W500-50 | 172 | 123 | 209 | 168 | 70.5 | 56 | PT2" |